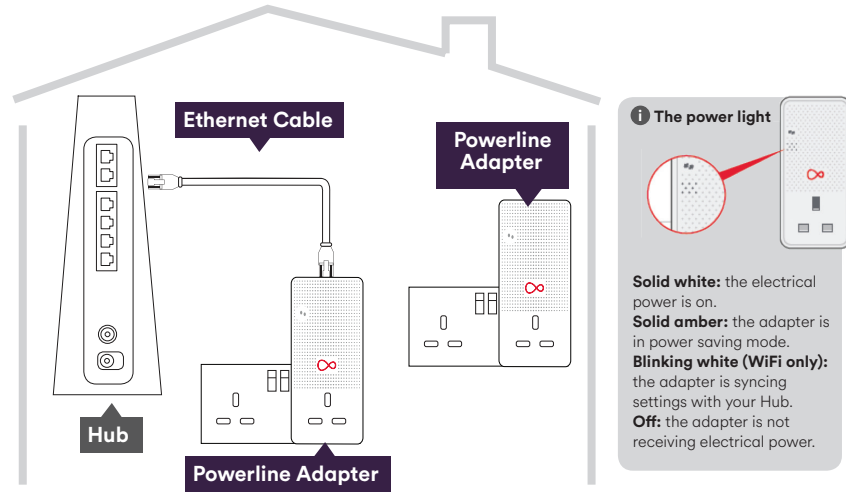


How to install your Virgin Media Powerline Adapter

Step 1

Plug the smaller **Powerline adapter** into a mains socket close to your **Hub** (modem). Switch on the mains socket. You will see the red connection light flashing and a solid white power light. Ok, looking good!

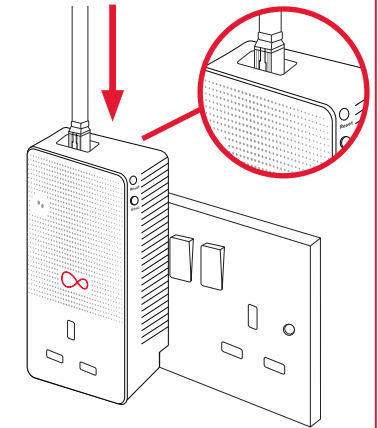


Step 2

Next, connect the same **adapter** to your **Hub** (modem) using the Ethernet cable provided.

TIP

Always plug the Powerline Adapter directly into a mains socket - not into an extension lead, power strip or surge protector.

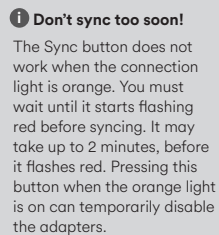
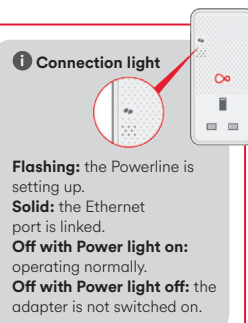


Step 3

Now you'll need the second Powerline device (the bigger of the 2 adapters). First, write down the WiFi network name (ssid) and WiFi password on the back of the adapter, you will need this later. Plug the adapter into a socket in the same room as the first powerline. The connection light will flash orange, then red as initial set up takes place.

TIP

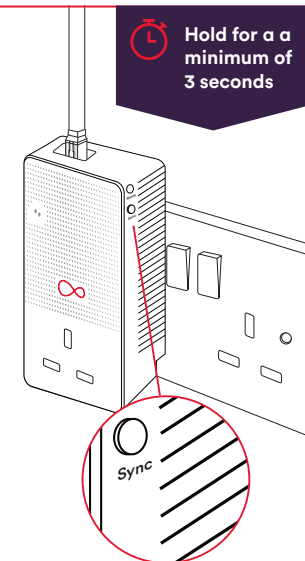
This set-up works best if you plug both adapters into sockets in the same room. Just move one when you're ready to go!



Step 4

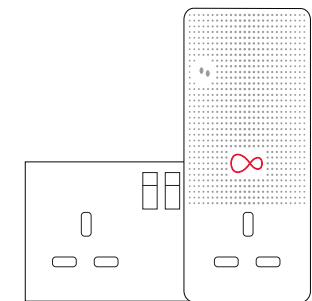
Press the Sync button on the side of the first/ smaller **Powerline adapter** for a minimum of 3 seconds.

Within 2 minutes you need to press the Sync button on the second **Powerline adapter** (the bigger of the 2 adapters) for a minimum of 3 seconds.



Step 5

When the connection lights stop flashing, your adapters are paired. Now, you're all set up!



Extend your network

You can now move the bigger adapter where you need it in your home. Basically - you now have two WiFi networks. Remember that WiFi network name (ssid) and WiFi password you wrote down earlier? You will need these to connect your devices to your second WiFi network.